

TENDER NOTICE

DATE OF INVITATION: 08.09.2020

CLOSING DATE: 15.09.2020

FORE SCHOOL OF MANAGEMENT, NEW DELHI
INTERIOR WORK

FORE School of Management, New Delhi is looking for the Contractor for interior works as per the attached BOQ. In case you are interested, you may send your quote for the said job in a sealed envelope mentioning **“Quotation for Supply, Installation, Testing & Commissioning of Acoustic Sliding Folding Partition”** by courier or to be dropped in the box kept with the security gate of FORE School of Management as per the specifications mentioned in the BOQ latest by **1500 Hrs. on Tuesday, September 15, 2020.**

Note: For any query/ clarification, please contact Mr. Shailendra Kumar on 011-41242424 Extn. 421 from Monday to Friday between 1100 Hrs. to 1600 Hrs.

TENDER DOCUMENT

Name of Work : Supply , Installation , Testing & Commissioning of Acoustic Sliding Folding Partition at FORE School of Management, Adhitam Kendra, B 18, NRPC Colony, Block B, Qutab Institutional Area, New Delhi, Delhi 110016

SCOPE OF WORK

SITE IMAGES AND DRAWINGS 1A AND 1B ARE PART OF THIS TENDER

Sl. No.	Description	Unit	Qty	Rate	Amount
1	<p>Supply, Installation, Testing and Commissioning of 100-110mm thick Manual sliding folding partition(with 7-8 equal panel of width1122mm approx and height up to false ceiling level/Track Bottom)of GEZE /Dorma/Azzazo or approved equivalent, and having sound insulation of 53-55dB as per manufacturer's specifications with following components:(Approx Slab / Beam Bottom Height-2335mm. fittings, and accessories, removable handle for operations ,manufacturer's warrantee for operable Walls against faulty workmanship and materials for a minimum period of 12Months, all complete as per manufacturer's specifications, drawings, tender specifications ,and direction of Engineer-In-Charge.</p> <p>Partition system: The partition system comprises of Series of individual flat panels, manually operated, top supported with retractable top and bottom seals, travelling along a ceiling track and assembled to form a solid wall. Each100mm thick panel shall consist of welded internal steel frame. Each panel shall be fabricated with 1.2 mm steel resiliently secured to the tubular frames with appropriate insulation to achieve specified Noise Reduction Class. Provide the entire panel fabrication and is non-combustible, dimensionally stable, with no protruding parts. The void inside the panel should be filled with 80kg/m3 rock wool in the cavity. The panels are to be clad on both sides with high quality MDF board. MDF board thickness is nominal 15mm thick except otherwise stated when incorporate with other finishing materials. Tongue and groove's vertical side's aluminum strip fitted with double acoustical seals. The panel is designed to be suspended and center-hung by high grade steel ball bearing encased with DuPont delrin polyformaldehyde (POM) material.</p> <p>Acoustic Sealing: Panel has manually operated top and bottom retractable seals. Vertical seals: Panels consist of natural anodized aluminum tongue and groove elements, which incorporate multi-fin acoustic gaskets and no fasteners shall be visible on panel face when the wall is in extended position. The tongue and groove vertical intersection must be sealed with no less than three vertical layers high quality black polymeric coating resin EVA with proper sealing.</p> <p>ii) Horizontal seals Top and bottom of the panel are fitted with multi-fin acoustic seals, with a deflection of standard 10mm to be compensated by multiple cranking Scissor-jack system. The force of the expanding seals shall be no less than 2.0KN. iii) Top and Bottom Pins Top and bottom pins must be extended and retracted by one cranking motion.</p> <p>Suspension & Tracking System: The track and other suspension members shall be designed to accommodate panel loads including the specified applied finished. Each panel shall be the facility for height adjustment without having to open up the ceiling panels after the ceiling is closed. Track shall be secured to the building structure and/ or suspension structure by adjustable bolts. All necessary transfer and storage tracks shall be included The track is to be supported by adjustable steel hanger bracket.</p> <p>Baffle Wall: The item includes providing and installing baffle wall in the space between the aluminium track/at false ceiling level and the beam bottom as per manufacturer's specification comprising gypsum board cladding on both side over a suitable frame works as per manufacturer's specification and filled with mineral wool infill to attain the desired sound insulation. The scope of work is inclusive of POP & Final paint work over baffle area.</p> <p>Finish Partition: Melamine, Laminate, Wood Veneer, Drywipe, Magnetic Drywipe, factory-applied paint, MDF Primed (ready for decoration by others), Steel facing, Pin Board, Mirror and Decorative Glass. Final architectural finish on panels shall be coordinated with scheduled finishes identical to finishes specified in other sections of technical specifications and drawings.</p> <p>Panel Staking Pocket: Providing & Fixing of Gypsum Dry Wall Pocket of Size 1300mm Wide x 2735mm. High x 100mm thick to accommodate the panels of sliding folding partition in stacking area all complete with paint, finish etc</p>				
2	Dismantling of Existing Gypsum Partition Size- 9180x2335mm. and disposing of malwa				
3	Civil Work Required				
4	Painting and finishing				
5	TOTAL without GST				
6	GST Amount				

Site Images

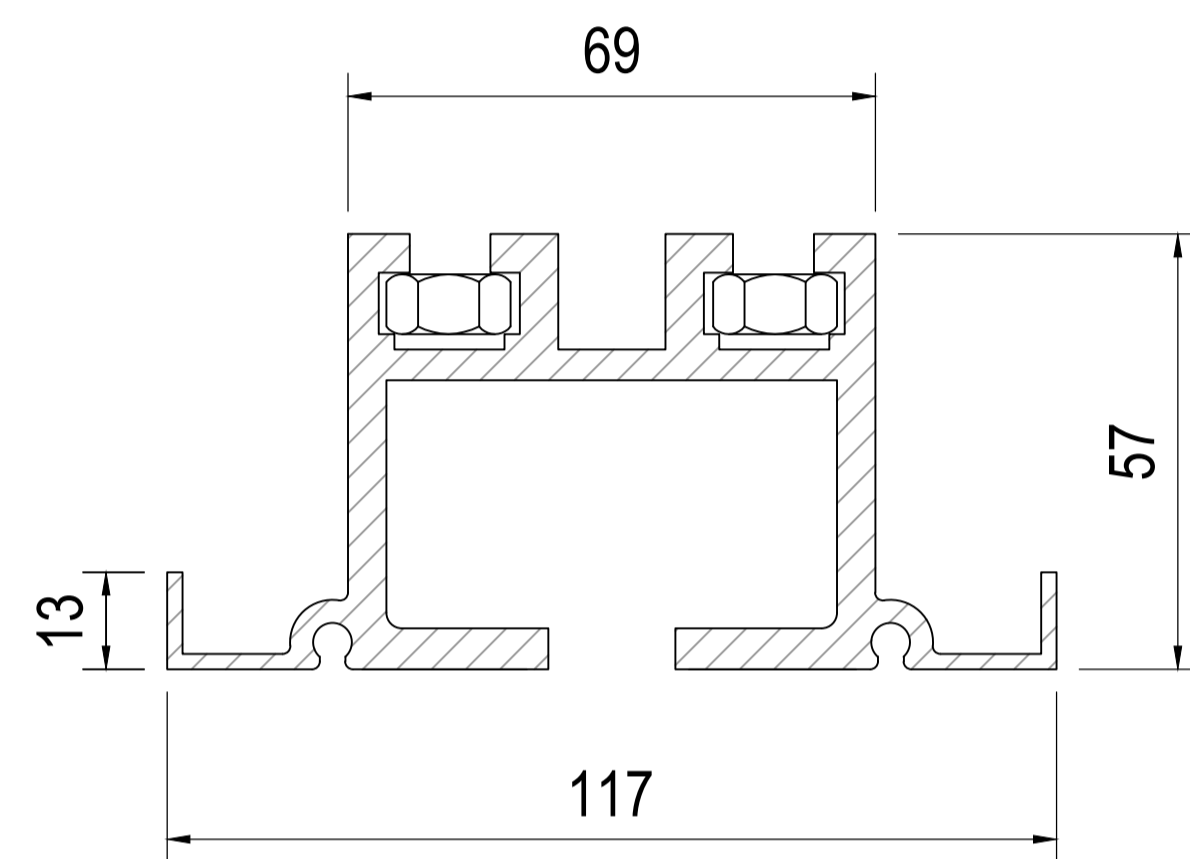


PRODUCT SPECIFICATIONS:

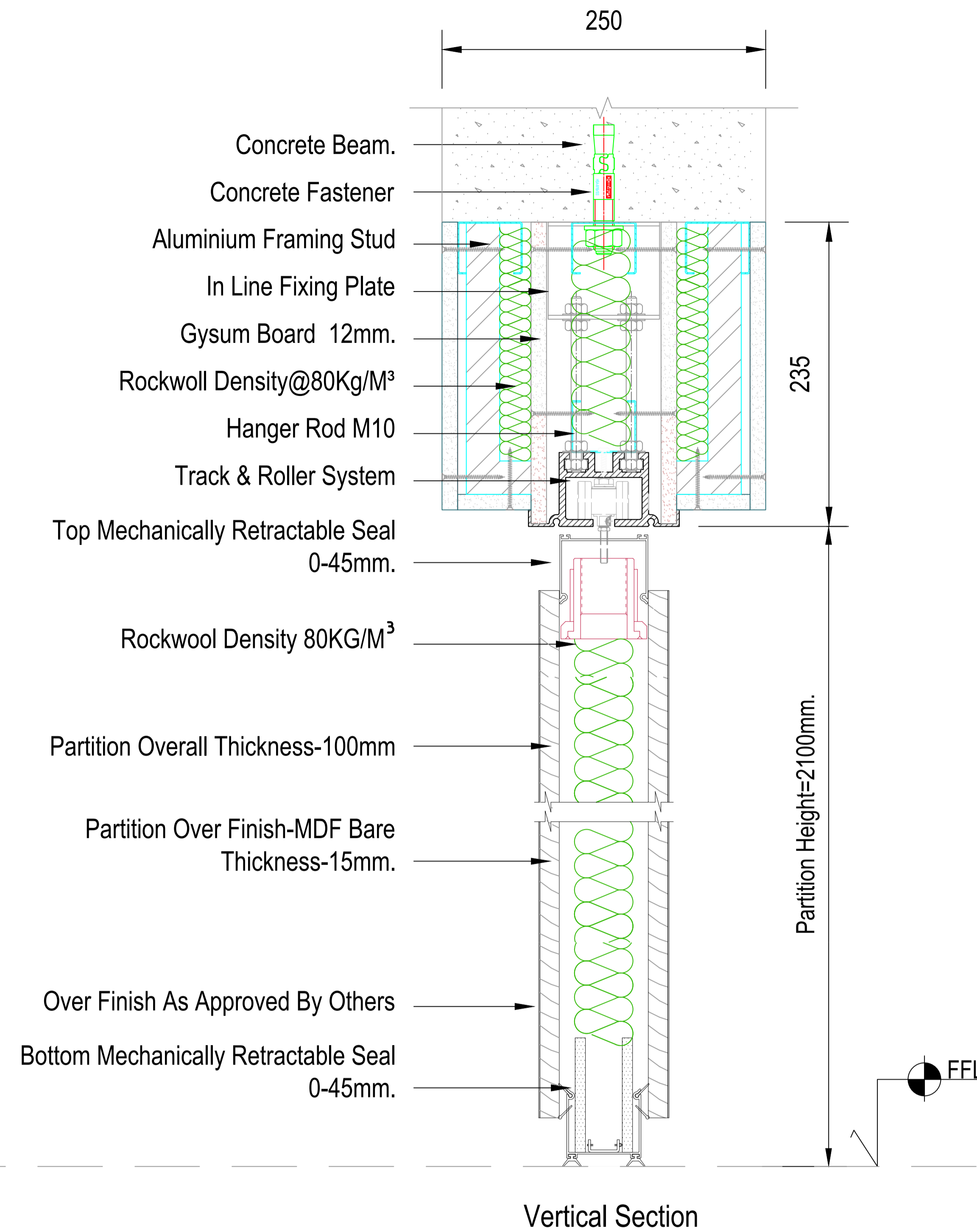
TYPE: B100 , Rw: 53-55dB

WEIGHT PER SQM: 55Kgs. TOTAL WEIGHT OF OPERABLE WALL MUST BE CONSIDERED AND CHECKED IN STATICAL CALCULATION UNDER UNFAVOURABLE LOAD CONDITIONS.

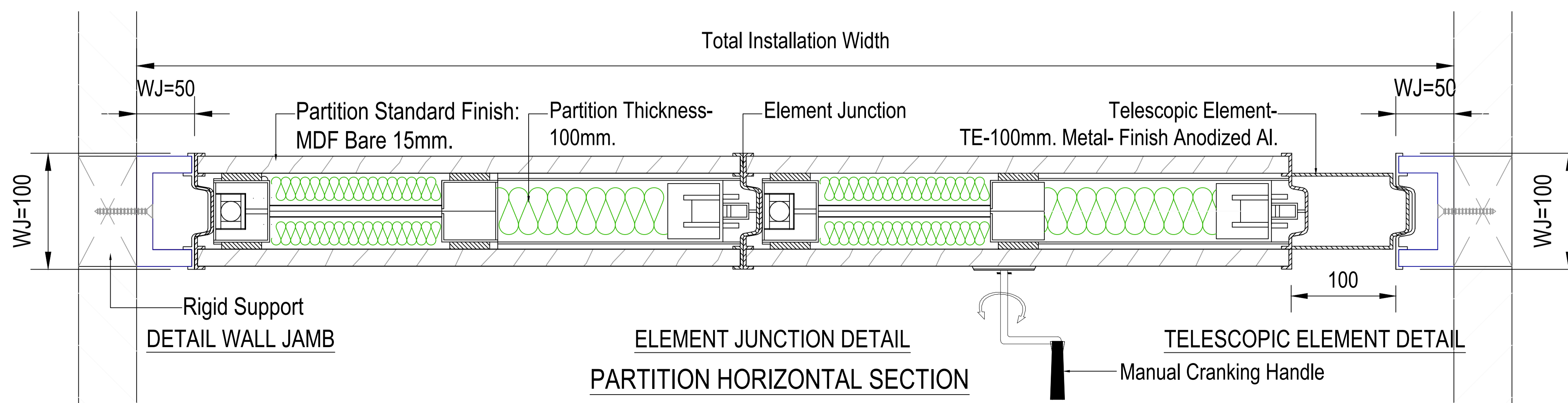
ATTENTION: IT IS NOT ALLOWED TO FIX OR CONNECT OTHER BUILDING PARTS TO OUR TRACKS. THE TRACK HAS TO REMAIN REMOVABLE FOR FIXING THE ELEMENTS. AFTER INSTALLATION OF TRACKS A 10mm DEFLECTION OF THE BUILDING STRUCTURE HAS BEEN CONSIDERED.



TRACK DETAILS
SINGLE SUSPENSION
FINISH: ANODIZED ALUMINIUM



Vertical Section



ELEMENT JUNCTION DETAIL
TELESCOPIC ELEMENT DETAIL
PARTITION HORIZONTAL SECTION

Notes:

REV: DESCRIPTION: BY: DATE:

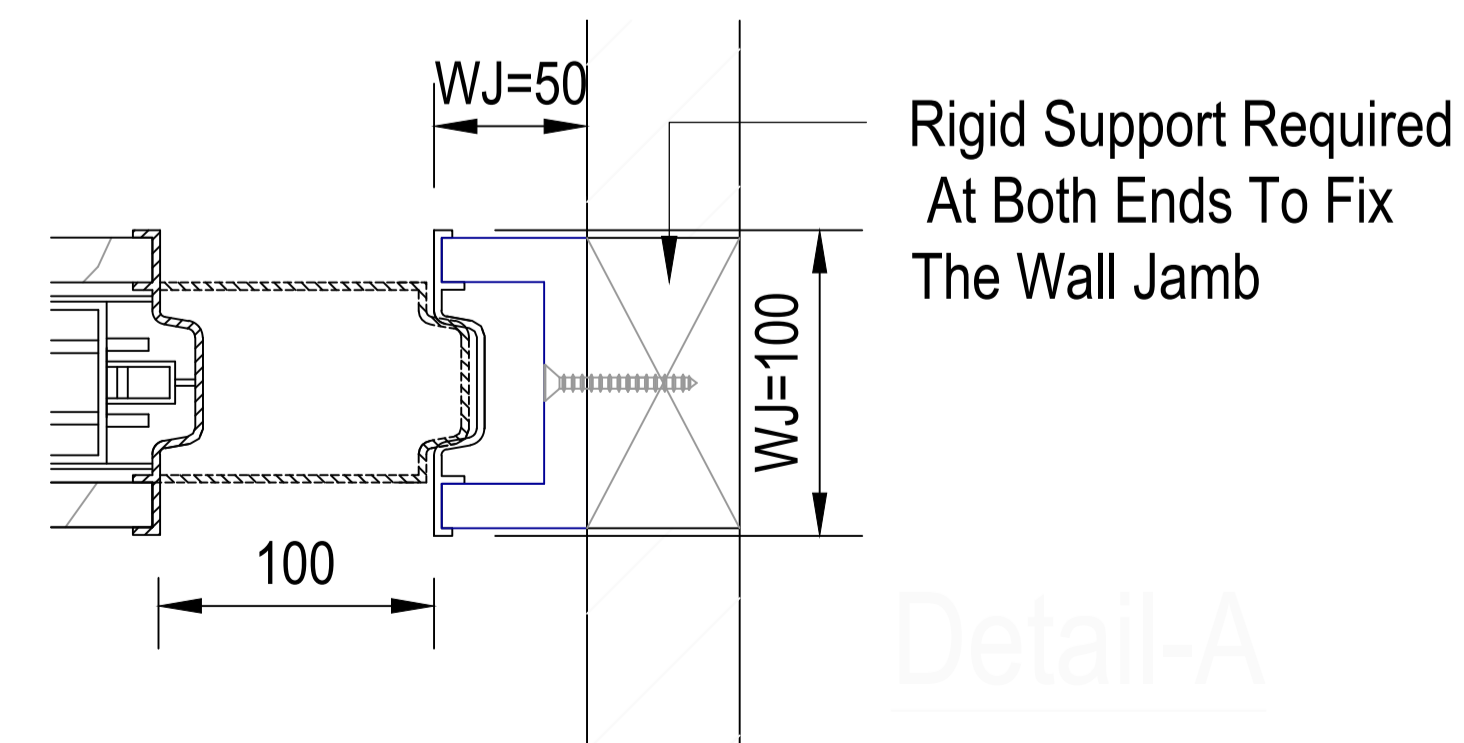
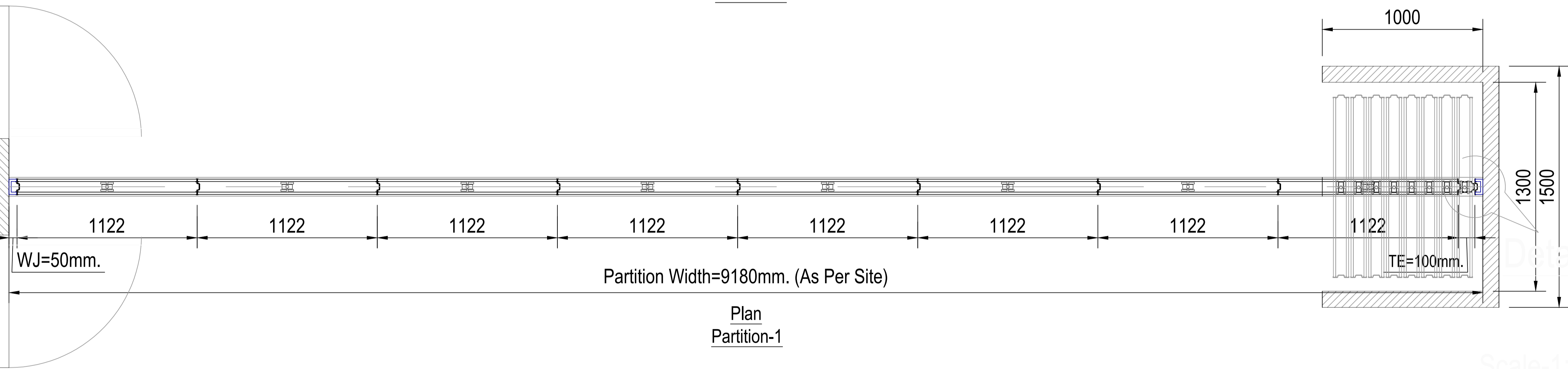
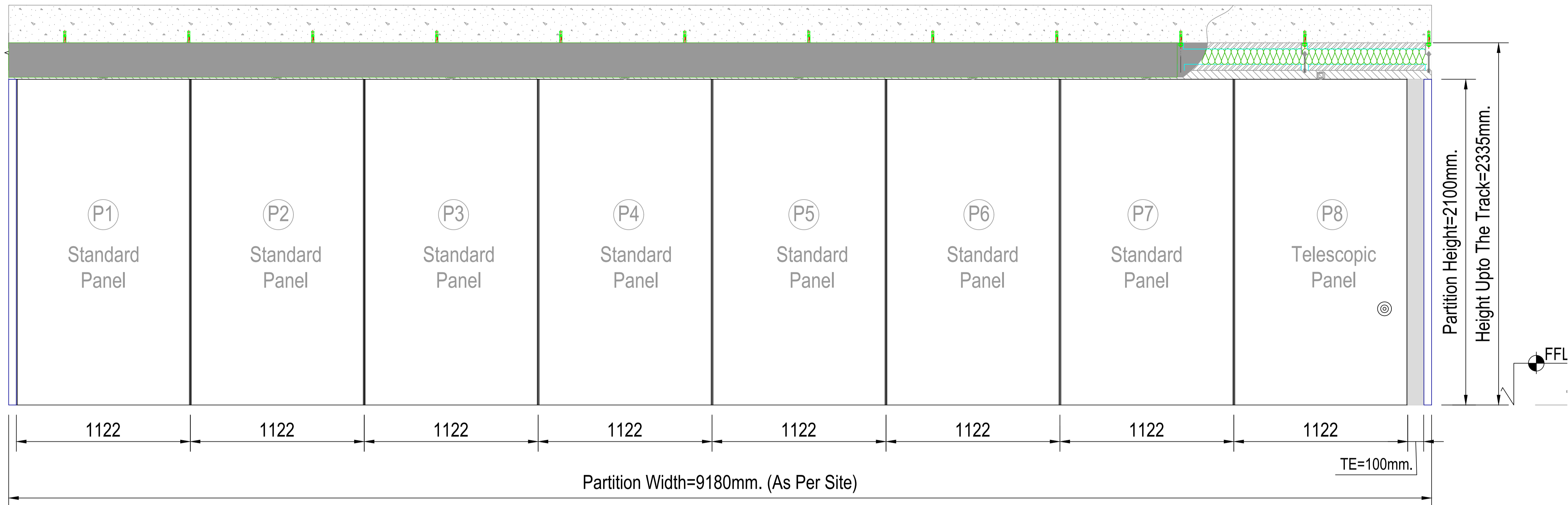
CLIENT:
FORE SCHOOL OF MANAGEMENT
B-18, Qutab Institutional Area
New Delhi

ARCHITECT:
M/s Design Accord Consultants
301-302, U.S Complex
Jasola, New Delhi 110076

PROJECT:
FORE SCHOOL OF MANAGEMENT
B-18, Qutab Institutional Area
New Delhi

RELEASED FOR:
TENDER

SCALE AT A3: As Shown	DATE: 31.08.2020	DRAWN: rv	CHECKED: rv
PROJECT NO: 3	DRAWING NO: DAC FSM 01 /2020	REVISION: . 0	



Legends

WJ	Wall Jamb-100(w)x50(Thick)
TE	Telescopic Element-100mm. Metal Finish

Partition Over Finish

To Be Confirmed By The Architect
Finish:

Partition Standard Finishes:

Partition:	MDF Bare
Track & Profile:	Anodized Aluminium

Partition Version

Manual Via Crank Operation
Db Level- 53-55

Notes:

REV: DESCRIPTION: BY: DATE:

CLIENT:

FORE SCHOOL OF MANAGEMENT
B-18, Qutab Institutional Area
New Delhi

ARCHITECT:

M/s Design Accord Consultants
301-302, U.S Complex
Jasola, New Delhi 110076

PROJECT:

FORE SCHOOL OF MANAGEMENT
B-18, Qutab Institutional Area
New Delhi

RELEASED FOR:

TENDER

SCALE AT A3: As Shown	DATE: 31.08.2020	DRAWN: rv	CHECKED: rv
PROJECT NO: 3	DRAWING NO: DAC FSM 01 /2020	REVISION: . 0	